



Brady Collapsible Gate Valve Lockouts

Catalog #: 148646, 148647, 148648

www.bradyid.com

Design

- Made of rugged injection-molded acrylonitrile butadiene styrene
- Patent-pending design includes a knock-out center that accommodates OS&Y or "rising stem" valves
- These gate valve lockout covers come in 3 sizes, ranging to cover hand wheels of 3" to 18" in diameter
- Covers fold for easier storage, carrying & application
- Accept locks with shackles up to 3/8" in diameter, and are supplied with danger labels in English, Spanish and French



Material

- Housing: Acrylonitrile butadiene styrene
- Rivet, Washers: Copper, Stainless Steel
- Housing Color: Red (PMS 1805C)
- UL Rating: UL 94 – HB (Plastic Components Only)

Temperature Range

- Acrylonitrile butadiene styrene : -40° to 100°C (-40° to 212°F)

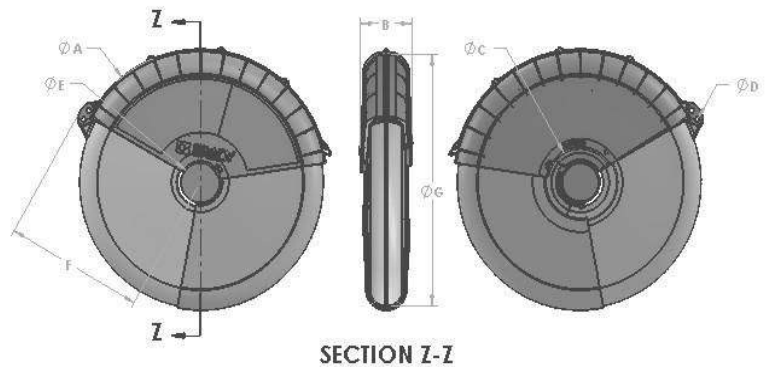
Chemical Resistance

All approved chemicals listed are based on the manufactures specified chemical resistance chart for plastic material only.

Chemical	°C	Chemical	°C
Lubrication oil: gear oil	< 120	Water (including seawater), chlorinated (<0,5 mg/l)	80
Petroleum	25	Lubricating oil: HD engine oils, hydraulic oils, transformer oils	< 120
Water (including seawater)	25		

Dimensions

	CGV-7	CGV-13	CGV-18
A	9.03" (229.4mm)	14.76" (374.9mm)	19.70" (500.4 mm)
B	3.10" (78.7mm)	3.98" (101.1mm)	3.98" (101.1mm)
C	2.44" (62.0mm)	4.11" (104.5mm)	5.00" (127.0mm)
D	.38" (9.7mm)	.38" (9.7mm)	.38" (9.7mm)
E	1.75" (44.5mm)	2.90" (73.7mm)	2.90" (73.7mm)
F	5.22" (132.7mm)	8.20" (208.2mm)	10.66" (270.8mm)
G	7.44" (189.0mm)	13.63" (346.2mm)	18.61" (472.7mm)



SECTION Z-Z