
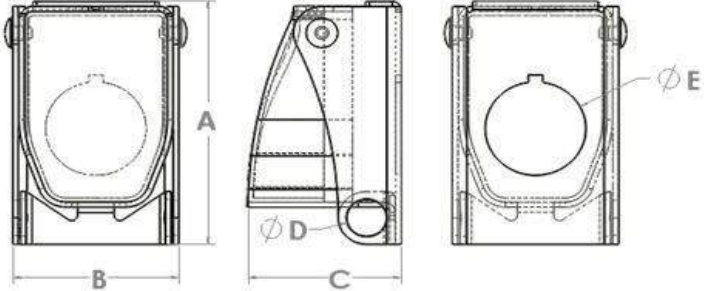


Push Button Safety Cover-IEC 22.5 mm

TDS No. LOTO-58
Effective Date: 10/16/2017

Description:

<p>Design</p> <ul style="list-style-type: none"> Guard against unauthorized operation or accidental activation Accommodates standard IEC 22.5 mm buttons Clear Lexan & metal hinged cover completely covers button preventing access 																																				
<p>Material</p> <ul style="list-style-type: none"> Clear Lexan cover Metal hinge and base Adhesive film with protective layer 	<table border="1"> <thead> <tr> <th>Chemical</th> <th>°C</th> <th>Chemical</th> <th>°C</th> </tr> </thead> <tbody> <tr> <td>Acetone</td> <td>25</td> <td>Petroleum</td> <td>25</td> </tr> <tr> <td>Acetone</td> <td>60</td> <td>Turpentine oil</td> <td>25</td> </tr> <tr> <td>Chlorine, chlorine water</td> <td>25</td> <td>Turpentine substitute (white spirit)</td> <td>25</td> </tr> <tr> <td>Fuel, engine: Gasoline (normal & premium grade)</td> <td>85</td> <td>Trichloroethane 1,1,1</td> <td>45</td> </tr> <tr> <td>Lubrication oil: gear oil</td> <td>< 120</td> <td>Lubricating oil: HD engine oils, hydraulic oils, transformer oils</td> <td>< 120</td> </tr> <tr> <td>Fuel, engine: M15 mixture (15% methanol)</td> <td>70</td> <td>Water (including seawater)</td> <td>25</td> </tr> <tr> <td>Methanol</td> <td>25</td> <td>Water (including seawater), chlorinated (<0,5 mg/l)</td> <td>80</td> </tr> </tbody> </table>				Chemical	°C	Chemical	°C	Acetone	25	Petroleum	25	Acetone	60	Turpentine oil	25	Chlorine, chlorine water	25	Turpentine substitute (white spirit)	25	Fuel, engine: Gasoline (normal & premium grade)	85	Trichloroethane 1,1,1	45	Lubrication oil: gear oil	< 120	Lubricating oil: HD engine oils, hydraulic oils, transformer oils	< 120	Fuel, engine: M15 mixture (15% methanol)	70	Water (including seawater)	25	Methanol	25	Water (including seawater), chlorinated (<0,5 mg/l)	80
Chemical	°C	Chemical	°C																																	
Acetone	25	Petroleum	25																																	
Acetone	60	Turpentine oil	25																																	
Chlorine, chlorine water	25	Turpentine substitute (white spirit)	25																																	
Fuel, engine: Gasoline (normal & premium grade)	85	Trichloroethane 1,1,1	45																																	
Lubrication oil: gear oil	< 120	Lubricating oil: HD engine oils, hydraulic oils, transformer oils	< 120																																	
Fuel, engine: M15 mixture (15% methanol)	70	Water (including seawater)	25																																	
Methanol	25	Water (including seawater), chlorinated (<0,5 mg/l)	80																																	
<p>Temperature Range</p> <ul style="list-style-type: none"> Lexan: -20°F to 275°F (-30°C to 135°C) Adhesive file: No data available 																																				
<p>Chemical Resistance</p> <p>All approved chemicals listed are based on the manufactures specified chemical resistance chart for plastic material only.</p>																																				
<p>Dimensions</p> <table border="1"> <tr> <td>"A"</td> <td>-</td> <td>1.46" [37mm]</td> </tr> <tr> <td>"B"</td> <td>-</td> <td>2.3" [58.4mm]</td> </tr> <tr> <td>"C"</td> <td>-</td> <td>1.34" [34.1mm]</td> </tr> <tr> <td>"D"</td> <td>-</td> <td>0.7" [17.8mm]</td> </tr> <tr> <td>"E"</td> <td>-</td> <td>0.44" [11.24mm]</td> </tr> </table>	"A"	-	1.46" [37mm]	"B"	-	2.3" [58.4mm]	"C"	-	1.34" [34.1mm]	"D"	-	0.7" [17.8mm]	"E"	-	0.44" [11.24mm]																					
"A"	-	1.46" [37mm]																																		
"B"	-	2.3" [58.4mm]																																		
"C"	-	1.34" [34.1mm]																																		
"D"	-	0.7" [17.8mm]																																		
"E"	-	0.44" [11.24mm]																																		

Warranty